

Pre-Wi Max/OFDM

MAKAIR cpe max



CPE MAX

Actual Data Rate up to 20 Mbps in 2.3 - 2.7GHz
& 40 Mbps in 4.9 - 6.1GHz



FEATURES

- Pre WiMAX / OFDM 5Mhz & 10Mhz
- 802.11 a/b/g,802.11n(draft)
- Any Point to Any point and Multipoint to Multipoint.
- IP Routing
- OLSR & OSPF
- Ultra Secure Wireless 256 bit AES, WPA and WPA2, 802.11i, 802.11e encryption, Security, VPN and firewall
- GUI, Telnet, SNMP Remote Management
- QOS with Traffic Shaping
- 3 level Watch Dog Timer
- Sensitivity of (-)105 XR Rate (Best in the Industry)
- Firewall with packet filter & NAT

CPE MAX Operates with the Broadband Base Station using the WiMAX/OFDM Technology with NLOS capabilities.

Different models of CPE MAX has capacity of multiple RF Interfaces for multiple operations like developing WiFi Zones and carry forward and creating a seamless network.

It offers complete network management and control features.

HOTSPOT

Built-in HOTSPOT AGENT, plus PPPOE server/client

BUILT-IN ROUTER SPECIFICATIONS:

BASIC NETWORK PLATFORM

TCP/IP protocol suite

FIREWALL AND NAT

Packet filtering, source and destination NAT, source MAC addresses, ports, protocols, protocol options, interfaces.

ROUTING

RIP 1 / 2, OSPF v2, OLSRD, BGP v4, equal cost multi-path routing, Policy based routing, firewall marked packet routing

BRIDGING

Spanning tree protocol, multiple bridge interfaces, bridge firewall

BANDWIDTH MANAGEMENT

Per IP / protocol / subnet / port, CBQ, RED, SFQ, byte limited queue, packet limited queue

PPPoE

Access Concentrator (server)

TUNNELS

PPTP, EoIP (Ethernet over IP)

OPEN VPN support for super secrecy

MULTICASTING support (Optional)

VLAN, Virtual LAN support

NTP Network Time Protocol server and client

QOS

Full Scale QOS with traffic shaping and user friendly Presets .

APPLICATIONS SUPPORTED

VOIP, Browsing, Webcasting, multiple Video conferencing, messaging and streaming

NTP Network Time Protocol server and client

DNS CLIENT/SERVER

Name resolving for local use, Dynamic DNS Client

MONITORING/ACCOUNTING

IP traffic accounting, firewall actions logging

SNMPV2

read only access

ADMINISTRATION

GENERAL

History, undo / redo /display, multiple administrator connections real time updates, real time Configuration

WEB/GUI

Uses HTTP/ HTTPS for remote administration, graphing of traffic, statistics, and resource

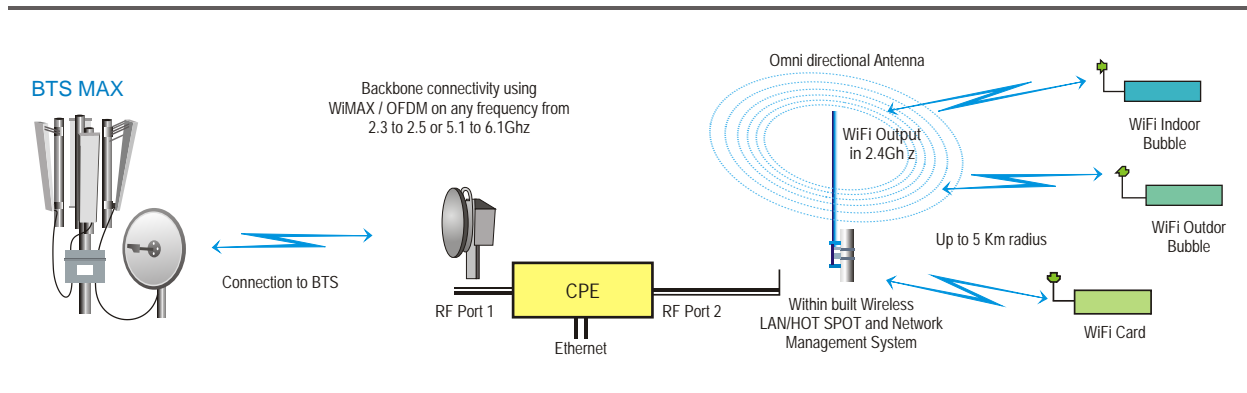
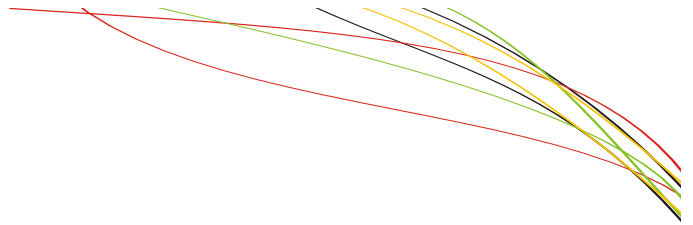
monitoring multiple internal configuration windows Terminal Console standard keyboard and monitor connection, scripting import /export of configuration scripts to screen / file command history, hierarchical command structure monitoring of interface status and traffic, context specific hints.

TELNET/SSH

All terminal console features, SSH option, cut/paste of configuration

UPGRADING

Remote Firmware Upgrade



TECHNICAL SPECIFICATIONS

Frequency Range	2.30 -2.70 GHz, 4.9 - 6.1 GHz 802.11 a/b/g, 802.11n(draft)	Bandwidth Management	Yes
Number of Channels	76 non overlapping (2.3-2.5GHz)	Router	Yes
237non overlapping	(4.9-6.1 GHz)	Monitor/Control	Through Ethernet port
Channel Width	(+/-) 2.5 Mhz, 5 Mhz, 10 Mhz	Packet Format	IEEE 802.3 and Ethernet II
Pre WiMax	Yes, 5Mhz & 10Mhz	Network Connection	10 /100 Base T RJ Female Ethernet Connection
Receive Sensitivity (1e-6 BER)	XR -105 dBm 1 Mbps -98 dBm 2 Mbps -96 dBm 6 Mbps -94 dBm 9 Mbps -93 dBm 11 Mbps -92 dBm 12 Mbps -91 dBm 18 Mbps -90 dBm 24 Mbps -86 dBm 36 Mbps -83 dBm 48 Mbps -77 dBm 54 Mbps -74 dBm	Bridge Functionality	Intelligent Local Packet Filtering (self-learning), Node by node user configurable data rates (CIR and MBR)
Max Receive Level	0 dBm (no damage)	Network Topologies	Any point-to Multipoint Multipoint-to Multipoint
Processing Gain	> 10 dB	Repeater Mode	Built-in Mode
Antenna Connector	N Female	RF Collision Management	Combined TDD and FEC
RF Interface	upto 2	Security	256 bit AES, WPA and WPA2 , 802.11i, 802.11e, encryption, Security, VPN and firewall
Option of Additional Ethernet	Yes, upto 2	Data Security Password	Network attachment is password protected
10/100 Interface		Remote Management	GUI, Telnet
Wireless Data Rate	54 Mbps, 108 Mbps	Management Port	http, Telnet
Super fast Mode upto108 Mbps	Yes	SNMP	MIB2
RF Modulation Scheme	QAM64, QAM16, QPSK, BPSK, CCK (OFDM, DSSS)	Management Port Functionality	Full configuration/management from any station through a command line
Duplex Format	TDD, FDD	Software Management	File download over RF for firmware updates
Certification	FCC,ISO 9001-2000	Power Adaptor Requirement	110 VAC or 220 VAC , 7V - 18V DC
Range	Up to 50 Km	Power Consumption	Less than 20W (fully loaded)
Output Power	0-27dBm	Height x Width x Depth Weight	7" x 11" x 5" 3Kg
Software controllable	Yes (Steps of 1 dB)	Operational Temperature	(-)40C to (+)80C
Extended Range (XR)	Best in the industry (-) 105 dBm	Humidity	Humidity 0-95% non condensing, Outdoor weatherproof enclosure
Watch Dog Timer	Software/Hardware/Temperature		
QOS/COS/GOS	Yes		